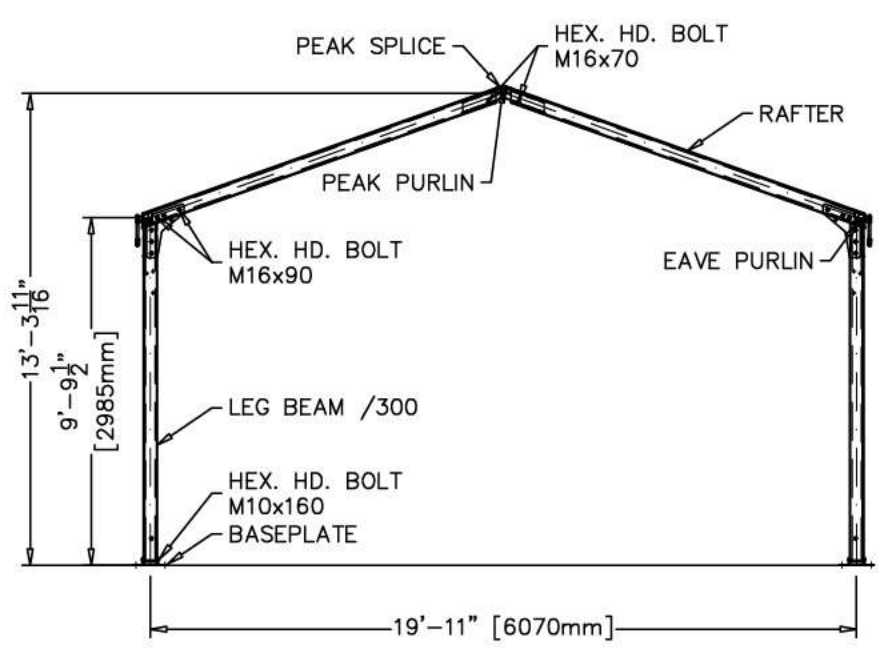
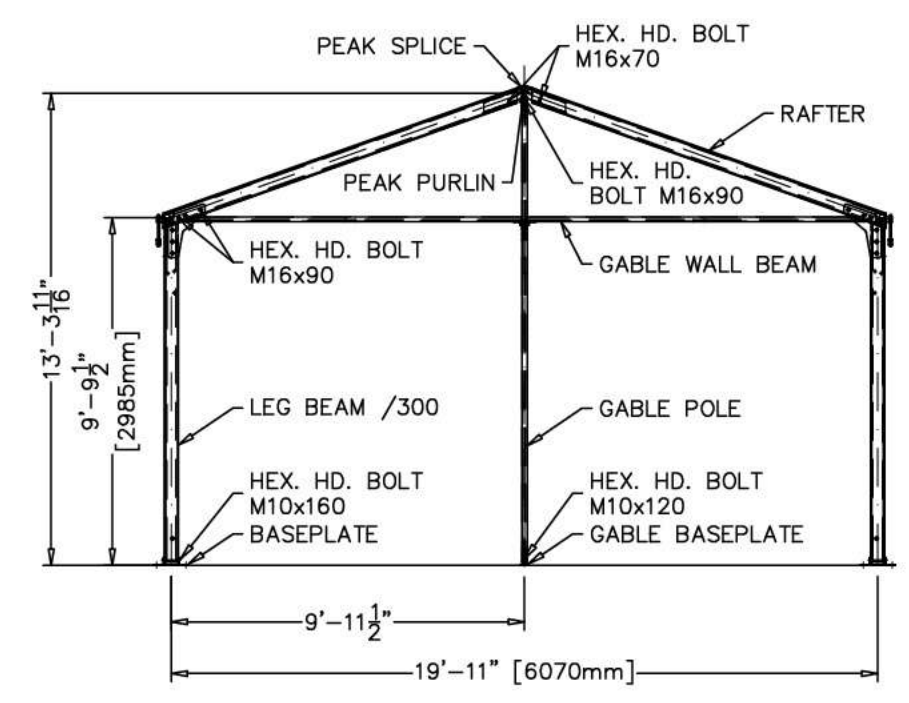


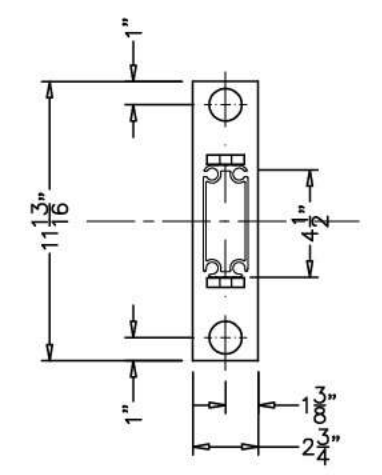
REVISIONS				APPROVED	DATE
ZONE	SYM	DESCRIPTION		SF	31MAR2014
-	0	ORIGINAL RELEASE			



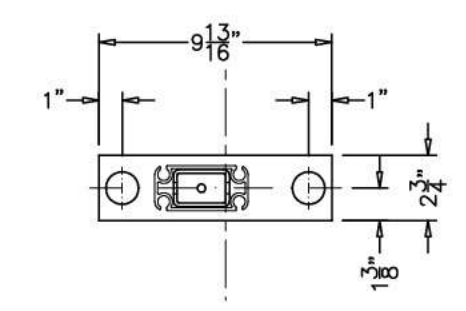
INTERMEDIATE ARCH ELEVATION  
3/16" = 1'-0" (1)



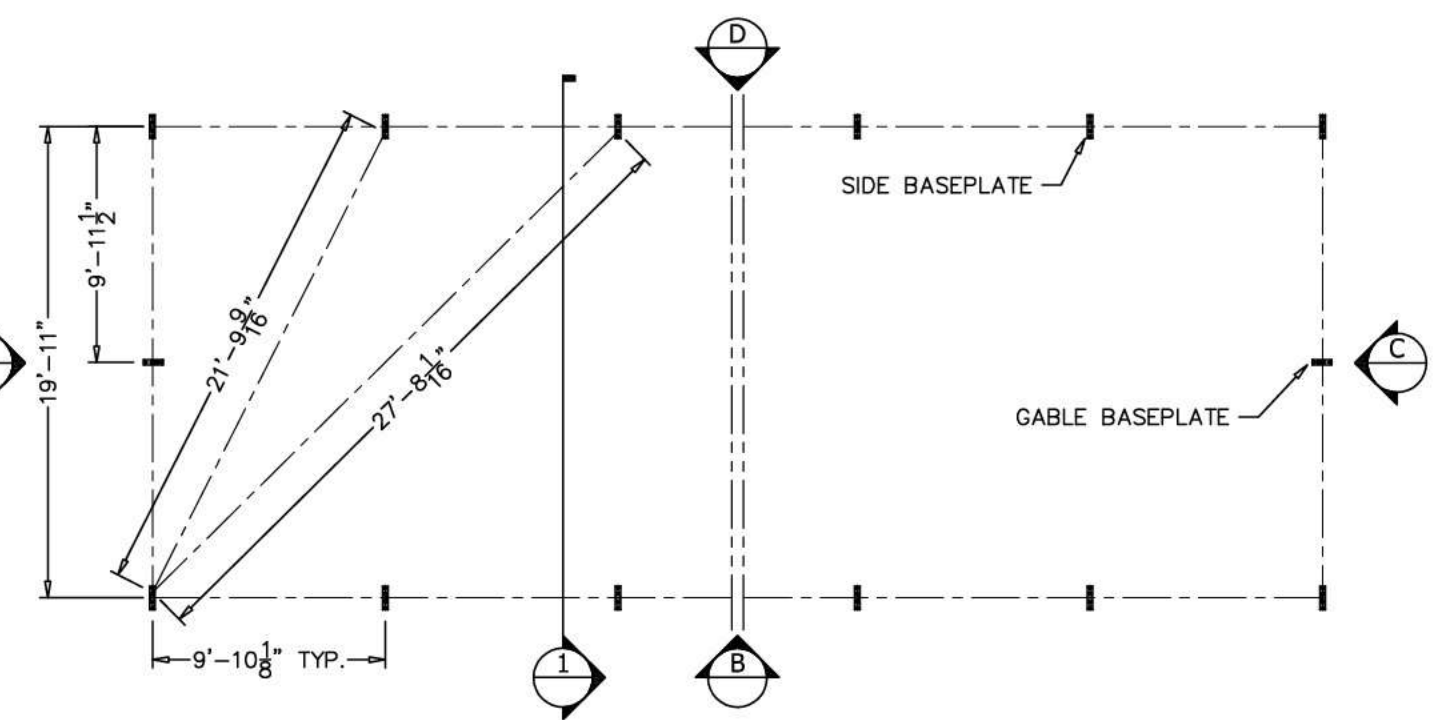
GABLE ELEVATION (A) (C)  
3/16" = 1'-0"



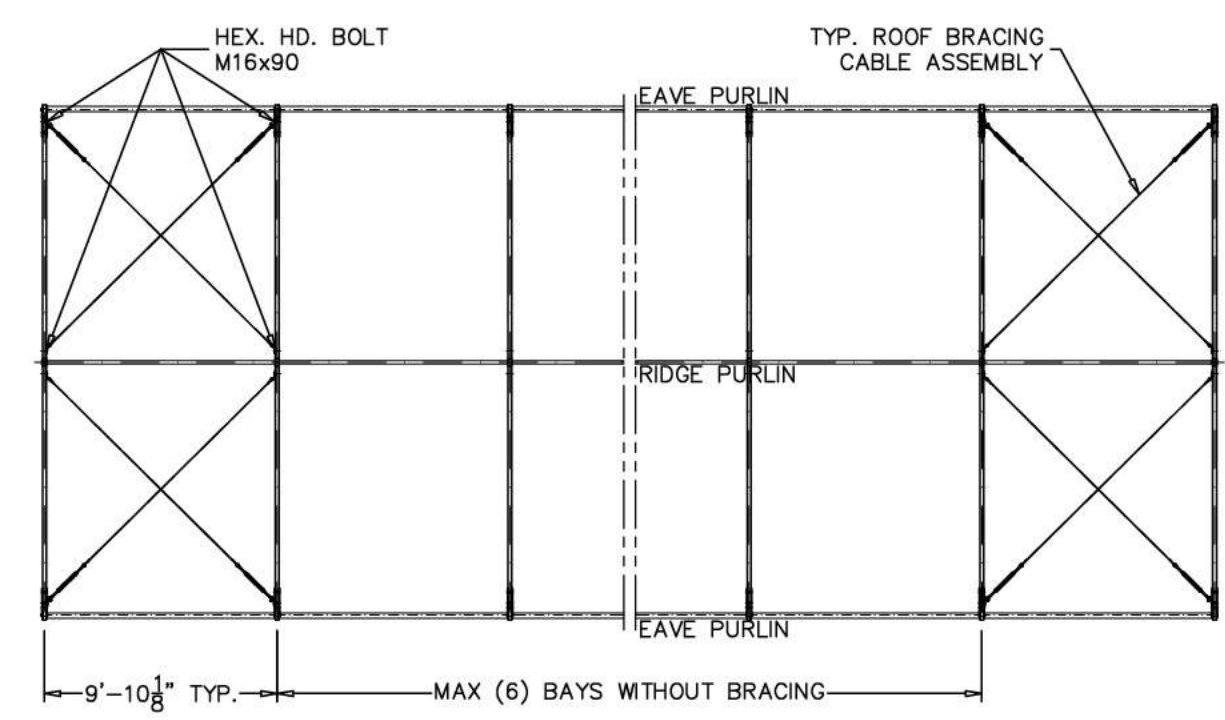
SIDE BASEPLATE  
1 1/2" = 1'-0"



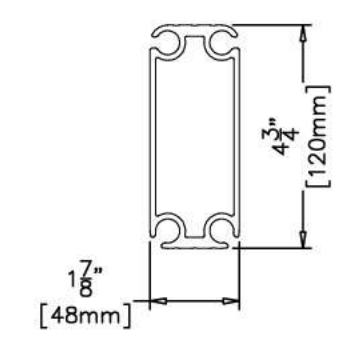
GABLE BASEPLATE  
1 1/2" = 1'-0"



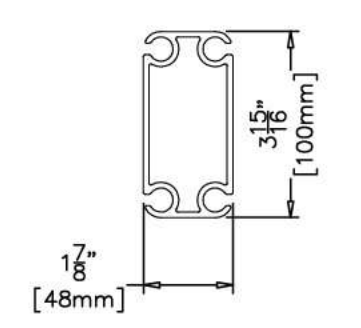
BASEPLATE LAYOUT  
1/8" = 1'-0"



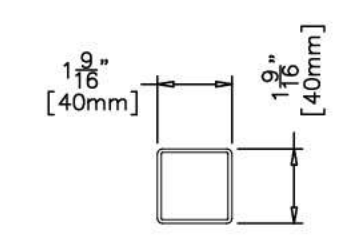
ROOF BRACING PLAN  
1/8" = 1'-0"



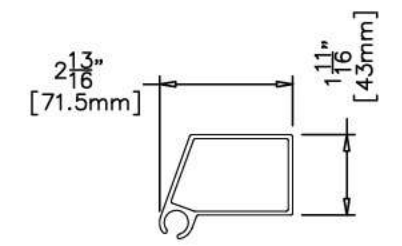
RAFTER & LEG PROFILE:  
3" = 1'-0"



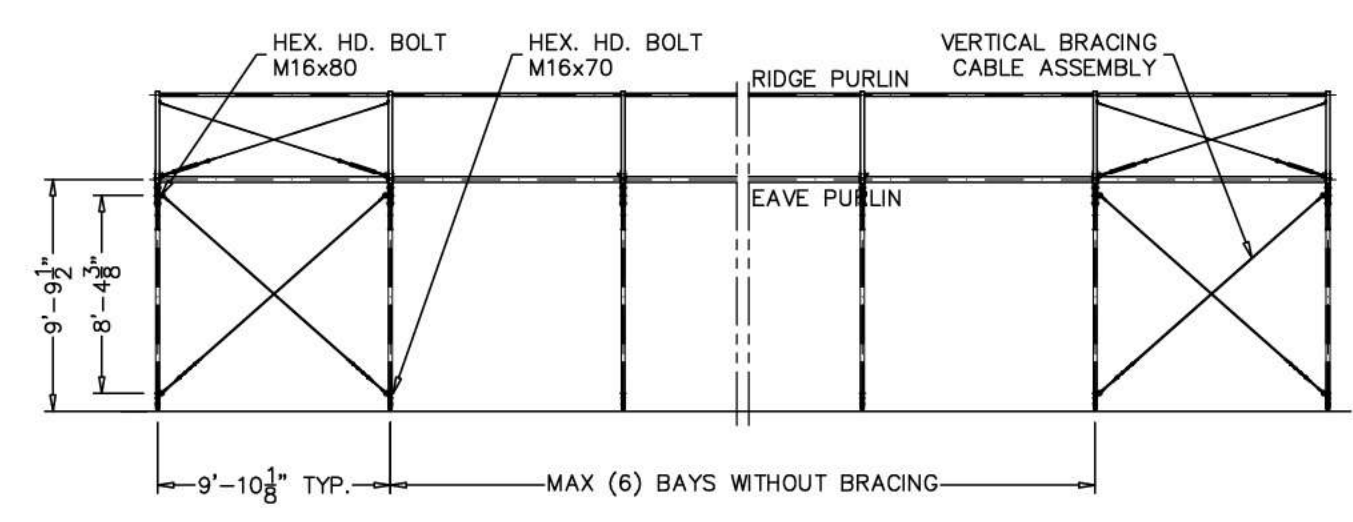
GABLE POLE PROFILE:  
3" = 1'-0"



PURLIN PROFILE:  
RIDGE  
3" = 1'-0"



PURLIN PROFILE:  
EAVE  
3" = 1'-0"



SIDE ELEVATION w/CABLE BRACING  
1/8" = 1'-0" (B) (D)

TITLE:		6M/300 GENERAL CONFIGURATION MULTIFLEX P7		
CUSTOMER:				
SIZE: C	SCALE: A.S.	JOB #:	APPROVAL: SF	Diese Zeichnung darf ohne unsere Genehmigung weder kopiert noch dritten Personen oder Konkurrenzfirmen zugänglich gemacht werden (Par. 15, 18 d. RG. v 19.06.1901)
WHERE USED / CODE:	REV: 0	DWG. NO.:	D225-102	
SHEET: 1 OF 1				