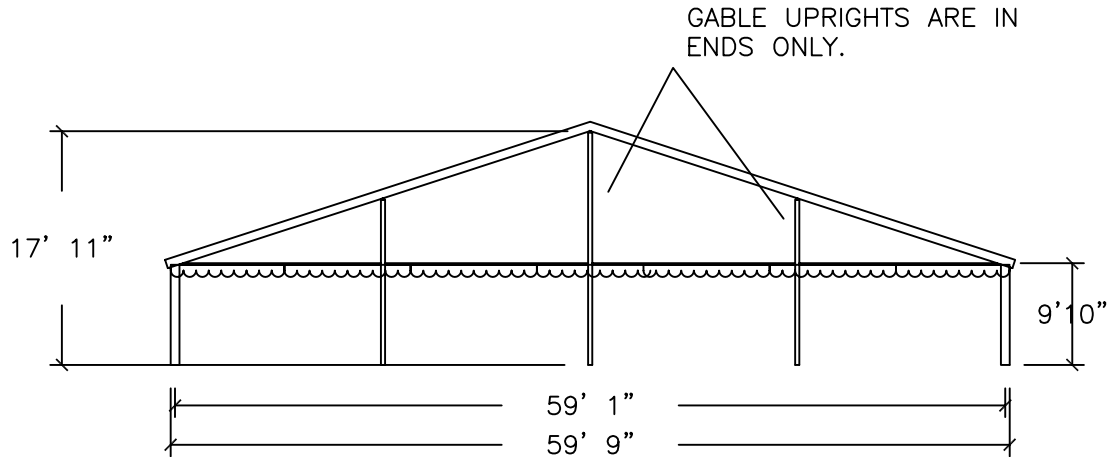


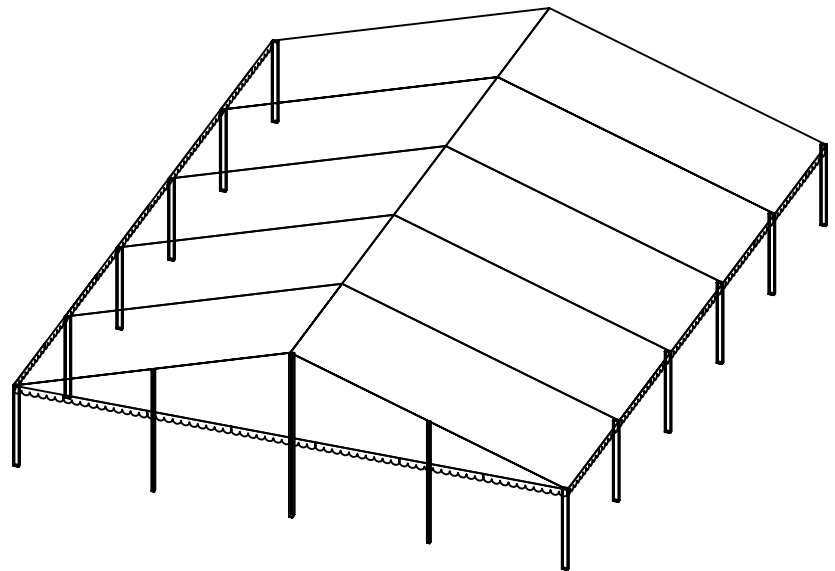
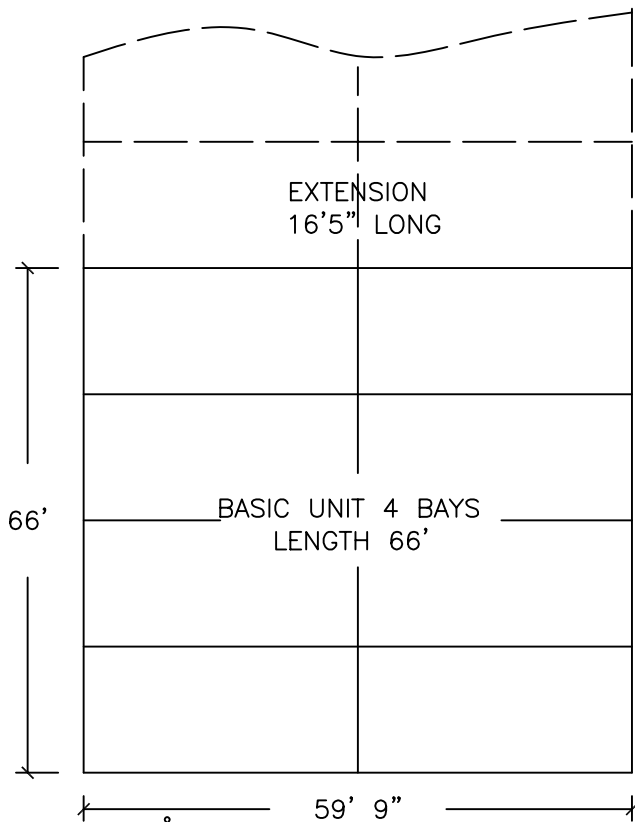
# 60' CLEARSPAN FRAME TENT

## SHORT DESCRIPTION

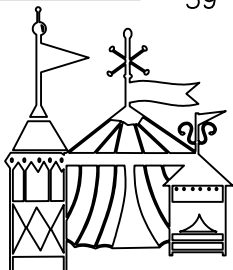
A German designed structure manufactured to withstand extreme weather conditions. Elimination of all interior supports gives you an unobstructed view and use of the entire tent. Available in blackout material for audio-visual presentation.



CROSS SECTION



A minimum of (4) modular bay sections is recommended for a clear span structure. The structures can be increased in length by adding modules of 16' 5"



Will Travel!

CHATTANOOGA TENT COMPANY  
1110 OAK STREET  
CHATTANOOGA, TN 37403  
Chatt. (423) 266-6744; Atlanta (404) 525-1222  
Toll Free (800) 843-8514  
WWW.chattanoogatent.com